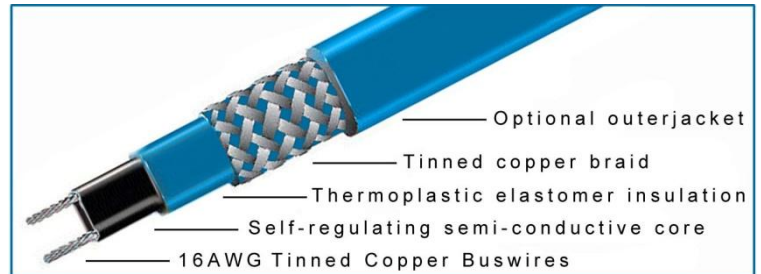


Technical specifications

Power supply	208-277V
Maximum continuous exposure temperature (power on)	65°C
Maximum intermittent exposure temperature, 1000 hours (power on or off)	85°C
Minimum installation temperature	-40°C
Protective braid resistance	< 18.2Ω/km
Bus wire gauge	16AWG
Approvals	UL / CSA / ETL / IECEx / ATEX / EAC / CE



Options

- HGR...C** Tinned copper braid provide additional mechanical protection and a positive ground path
- HGR...CR** Flame retardant thermoplastic outer jacket protect against certain inorganic chemical solutions. It also protect against abrasion and impact damage.
- HGR...CT** High Temperature Fluoropolymer outer jacket are used for exposure to organic or corrosive solutions or vapor may be present.

Description

HGR is a parallel self-limiting heating cable used for freeze protection and temperature maintenance of pipes, valves, flanges and tanks. Self-limiting heating cables increase or decrease the heat output depending on the change of ambient temperature. Because of this a thermostat is not always necessary, the heating cable will never over heat. Heating Group International can provide all the calculations and engineering, the heating cables, accessories as termination kits and all the control equipment.

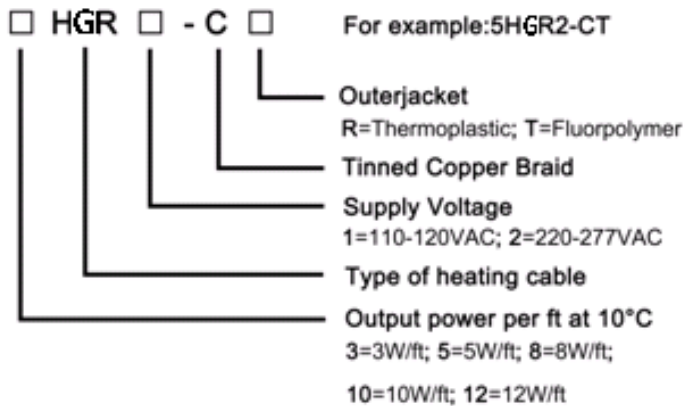
Features

- Energy efficient, automatically varies its power output in response to pipe temperature changes.
- Easy to install, can be cut to any length (up to max circuit length).
- Lower installation costs than steam tracing. Less maintenance costs and downtime.
- No overheat or burnout even when overlapped.
- Suitable for use in hazardous, non hazardous and corrosive environments.

Weight and dimensions

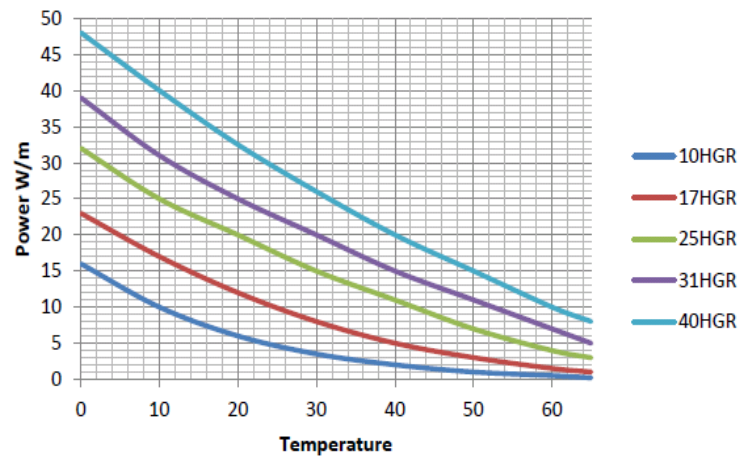
Type	Dimension	Min. Bending radius	Weight (kg/100m)
HGR...C	11,0x4,4mm	26mm	9,2
HGR...CR	12,6x6,0	36mm	12,0
HGR...CT	12,0x5,4mm	32mm	11,2

Product ordering information



Power output curves

Nominal power output at 230V when HGR installed on insulated metal pipes.



Maximum length (m) vs circuit breaker size

Minimum start-up temperature	CB size Amps	10HGR	17HGR	25HGR	31HGR	40HGR
		230V m	230V m	230V m	230V m	230V m
10°C	10	165	99	69	41	33
	16	200	158	110	65	52
	25	200	160	125	105	88
0°C	10	144	90	61	37	30
	16	200	155	100	60	57
	25	200	160	125	100	83
-20°C	10	94	66	44	28	22
	16	170	105	70	45	35
	25	200	160	110	70	60
-40°C	10	59	42	30	24	18
	16	95	67	48	38	28
	25	155	110	76	62	48